



**New
Exact Linear Plus
3D wheel aligner
with 2-camera
reading system**



Lift level automatic tracking function (optional)

High quality components and modern design

User friendly software for precise and quick alignment measurements

0.01° data display

Intuitive 2-key operation with **easily accessible** tutor help

Easy access to all adjustment values

10" to 26" sensor holder (with adaptor)

**The wheel aligner for everyone...
Simplicity combined with top notch performance.**



USER FRIENDLY

Corghi Icon user friendly graphics.
Simple and efficient easy to learn, fast to select.
Ergonomic worktop.

1_LIGHT-DUTY AND HIGH-RESOLUTION TARGET

It can be detached from the bracket and is compatible with all Corghi brackets.
Front infra-red filter for a high immunity to sunlight reflections.



2_PRACTICAL TROLLEY

for clamp and sensor holder (optional).



3_SUPERIOR QUALITY CAMERA

Latest generation high-resolution HI-Q camera for artificial vision.

Operating Light Indications thanks to the integrated synoptic panel.

Measurement in difference. Each acquisition is differentially processed by 2 consecutive images to eliminate measurement problems in critical sunlight conditions or in the presence of light reflections.

4_10" TO 26" CLAMPS

with adaptor (optional).

CLAMPONTYRE

Compatibility with ClampOnTyre quick clamps: **no contact with the rim, innovative design** for fast and **reliable clamping**. (*)

(*): to use the ClampOnTyre clamps, the SMART-ROC optimised runout kit must be installed.



5_MAIN UNIT

complete with PC holder and platform for keyboard and printer.



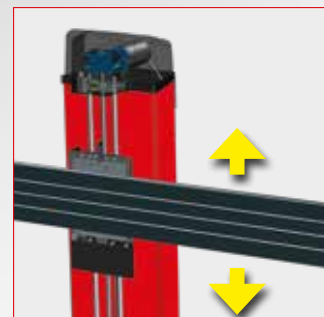
6_DRIVE ON ASSISTANT: YOUR ASSISTANT TO DRIVE ON THE LIFT

by remote camera for easy vehicle positioning (optional).

NEW INTEGRATED LIFT WITH WORMGEAR AND SAFETY SYSTEM (PATENT PENDING)

Camera movement kit allows the operator to work from pit level to over 2.00 meters by pressing a key on the keyboard. Fast and easy.

Lift level automatic tracking function (optional) with **integrated safety mechanism** (patent pending).



SOFTWARE

- Multilanguage **Windows 10 IoT operating system**
- **User friendly** procedure
- A first class international database with over **84,000 vehicles**
- Live **graphic indications**
- **User databank** for insert or modification vehicle data
- **Chassis** measurement data
- **Factory-calibrated**, calibration checked only upon installation, **no periodic calibrations required**
- Databank on **HD**
- Job operation **customer data bank**, to recall and **memorize all customer data**

WHEEL ALIGNER COMPATIBLE WITH PROADAS

The wheel aligner is compatible with the new PROADAS universal system used for the **calibration of driver assistance systems** on new-generation vehicles.

Using the wheel aligner cameras, the system for calibrating the camera and radar on board the vehicle **can be aligned precisely and quickly**.

Manufacturers recommend calibrating ADAS systems after aligning the vehicle. For further information, visit the PROADAS product sections on our website.





RECOMMENDED ACCESSORIES



8-34900011
Carrying case with kit for calibration and calibration check



x4

8-34100020
Self-centring 10-21" brackets



x4

8-34100021
26" extender kit for brackets



x2

x2

8-34900019
Turntables with pad



8-34900072
Aligner Trolley. To use the wheel aligner in different lifts or in drive thru mode.



8-34900079
A4 Inkjet Printer

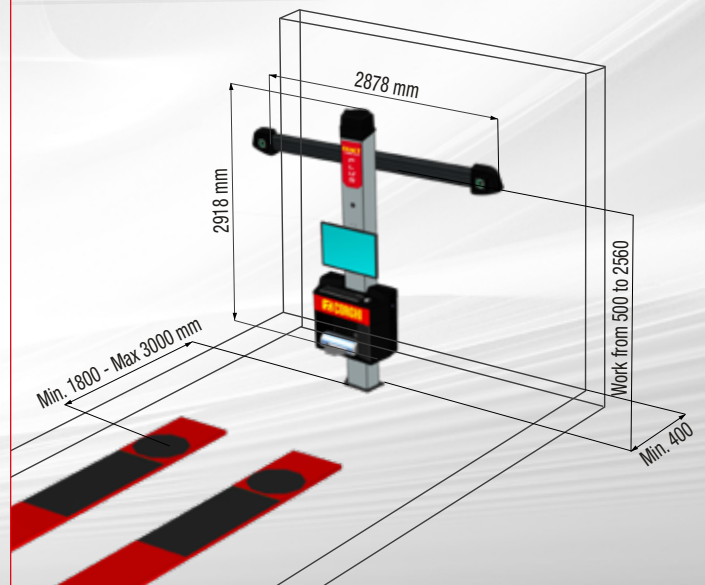
The manufacturer reserves the right to modify the features of its products at any time.

STANDARD ACCESSORIES



* For Full Pack versions only

DIMENSIONS



TECHNICAL DATA

Total toe	$\pm 20^\circ$
Half toe	$\pm 10^\circ$
Camber	$\pm 10^\circ$
Caster	$\pm 30^\circ$
King pin	$\pm 30^\circ$
Set back	$\pm 22^\circ$
Thrust angle	$\pm 10^\circ$
Steering difference	$\pm 20^\circ$

POWER SUPPLY

Power supply voltage	115/230Vac - 50/60Hz - 1 Ph
Power absorption	500 W
PC holder	11 kg
Camera beam	26 kg
Column	66 kg
Camera resolution	2592 x 1944 10,000,000 Pixel

The manufacturer reserves the right to modify the features of its products at any time.



NEXION SPA - www.corghi.com - info@corghi.com

Cod. DPCG001349A 02/2024

